

Performance You Can Trust
أداء يمكنك الوثوق به

SUBMERSIBLE DE-WATERING PUMP



Applications

- Mines, quarries, coal ore and slurries.
- Sewage Treatment plants.
- General pumping purposes.
- Civil engineering.

Application limits

- Water temperature : +45°C
- PH : 6.5 to 8.5
- Maximum immersion depth : 50M

Performance Range

- Capacity : up to 85 m³/hr
- Head : up to 48.5m
- Speed : 2900 rpm

Motor Details

- Insulation class : F
- Protection class : IP68
- Power rating : 1.1 kw to 11 kw
- Cable length : 8 M
- Power supply :
Three phase 380V±10%,50Hz

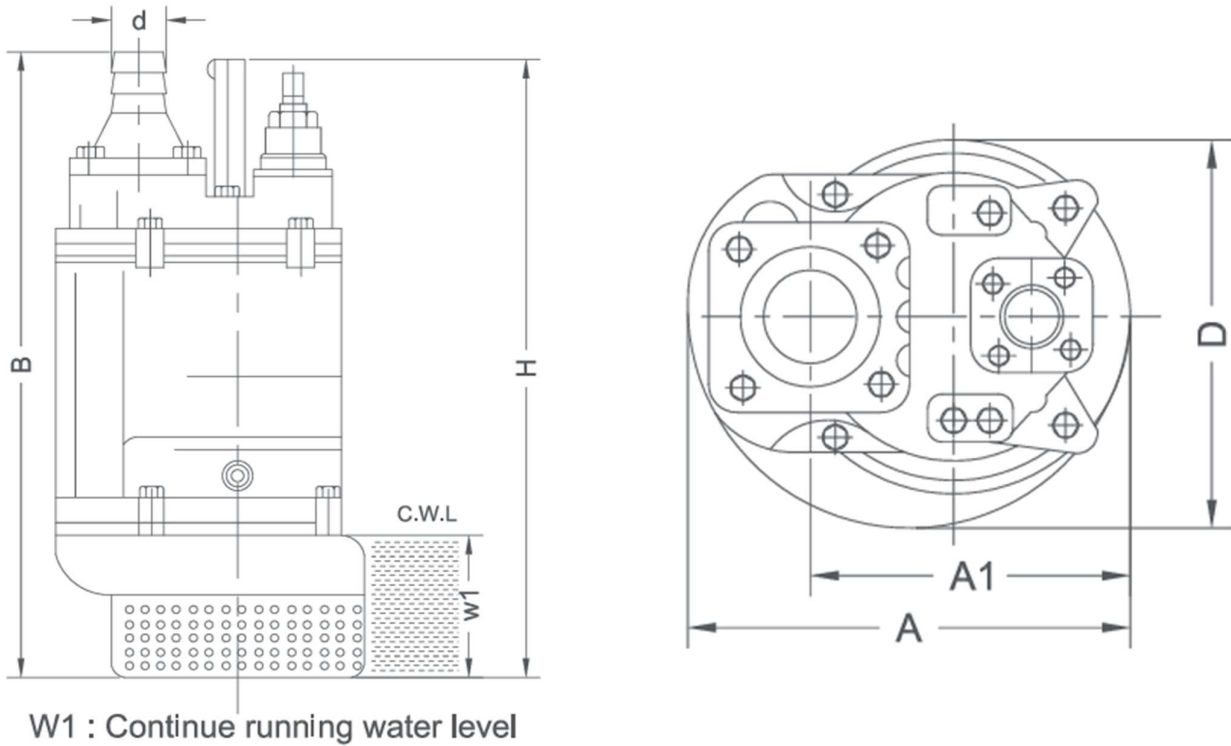
Installation and Use

- Compact design, high performance and exceptional durability for handling abrasive liquid, widely used in general construction and civil engineering.
- The body of motor and pump is made of rigid cast iron or stainless steel for long-lasting durability.
- Greatly increased maximum submersible depth due to mechanical seal resistance to high pressure (0.5Mpa)
- Semi-open impeller made of high SS304 match with wear plate (SS304) achieves superior durability.
- Effective motor cooling due to discharge channel cast iron as part of the motor housing. Space economy by a top outlet.
- Hermetically sealed motor equip build-in thermal protection. The protector in the motor can automatically cut of the power when it overheats or over current.

Selection Chart

Model	Power		Voltage (50Hz)	Speed (RPM)	Outlet (Inch)	Maximum		Impeller Passage	N.W. (Kg)
	KW	HP				Flow (M3/H)	Head (MTR)		
TDP1.5-2F	1.5	2.0	380-420V	2900	2"	30.0	22.0	8.5 MM	36.0
TDP2.2-2	2.2	3.0			2"	30.0	26.0	8.5 MM	39.0
TDP2.2-3	2.2	3.0			3"	55.0	19.0	8.5 MM	39.0
TDP4.0-3	4.0	5.5			3"	55.0	29.0	8.5 MM	63.0
TDP5.5-3	5.5	7.5			3"	75.0	34.0	8.5 MM	77.0
TDP7.5-4	7.5	10.0			4"	84.0	40.0	11.5 MM	106.0
TDP11-4	11.0	15.0			4"	84.0	48.5	11.5 MM	177.0

G.A Drawing



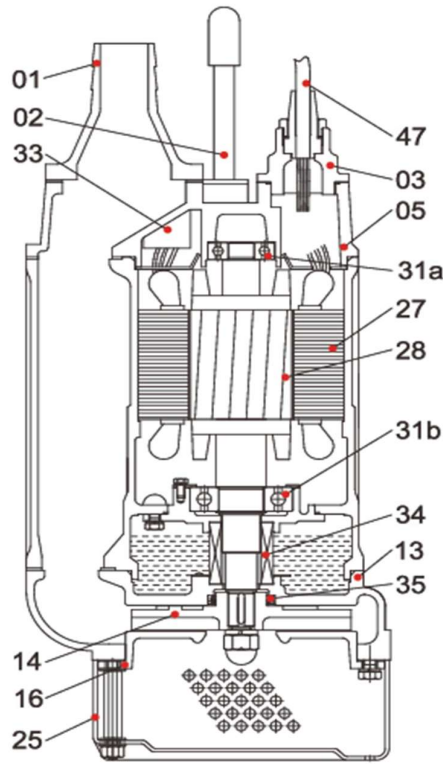
Pump Dimensions

Model	DIMENSIONS IN MM						
	d	A	A1	B	D	H	W1
TDP1.5-2F	50	235	173	517	216	486	120
TDP2.2-2	50	235	173	517	216	486	120
TDP2.2-3	80	235	173	517	216	486	120
TDP4.0-3	80	283	208	628	525	638	150
TDP5.5-3	80	306	218	671	259	598	150
TDP7.5-4	100	330	240	764	314	676	190
TDP11-4	100	373	255	807	350	695	190

Performance Chart

Model	Power		Q	US GPM	0	22	44	66	80	110	132	154	176	198
	KW	HP		M ³ /H	0	10	20	30	40	50	60	70	80	90
				LPM	0	167	333	500	667	834	1000	1167	1334	1500
TDP1.5-2F	1.5	2.0	HEAD (MTR)	22	17	12	6	3						
TDP2.2-2	2.2	3.0		26	24	18	6	3						
TDP2.2-3	2.2	3.0		19	18	16	13	9	3					
TDP4.0-3	4.0	5.5		29	27.5	24	20	14	6	3				
TDP5.5-3	5.5	7.5		34	32	30	27.5	24.5	21	17	12			
TDP7.5-4	7.5	10.0		40	38	36	33	30	26.5	22	16	6	3	
TDP11-4	11.0	15.0		48.5	46	42.5	39	34	29.5	24.5	19	12	6	

Sectional View

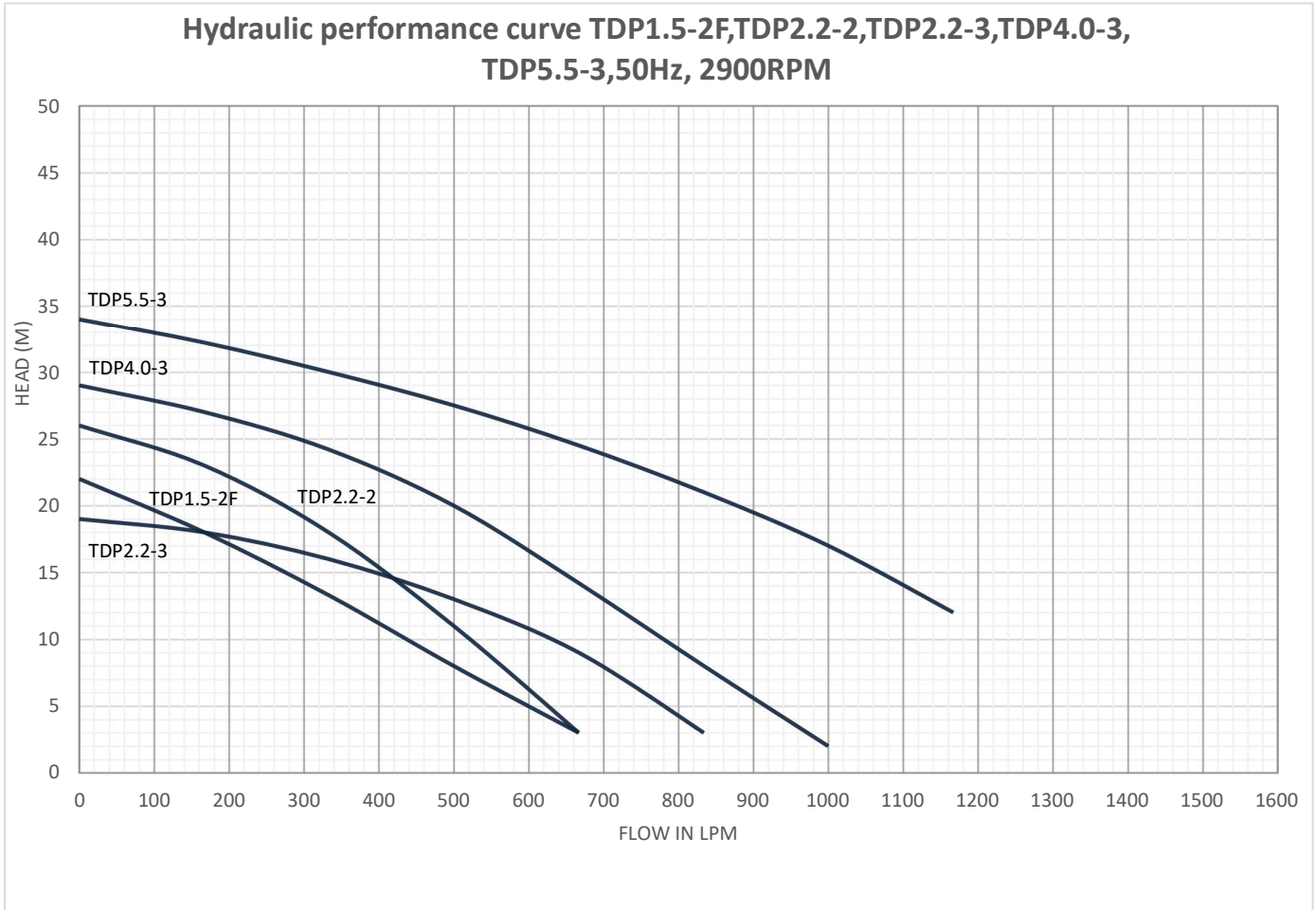


Item No.	Part Name	Material	Item No.	Part Name	Material
01	Outlet	Cast iron	28	Rotor	Shaft: AISI420SS
03	Handle	Steel & rubber	31a	Bearing	Ball bearing
05	Upper cover	Cast iron	31b	Bearing	Ball bearing
11	Motor Body	Cast iron	33	Motor protector	
12	Outer casing	Steel	34	Mechanical seal	Sic-sic/Carbon-sic(<2.2kW)
14	Impeller	SS304			
15	Diffuser plate	SS304	35	Oil seal	
25	Strainer		47	Cable	
27	Stator				

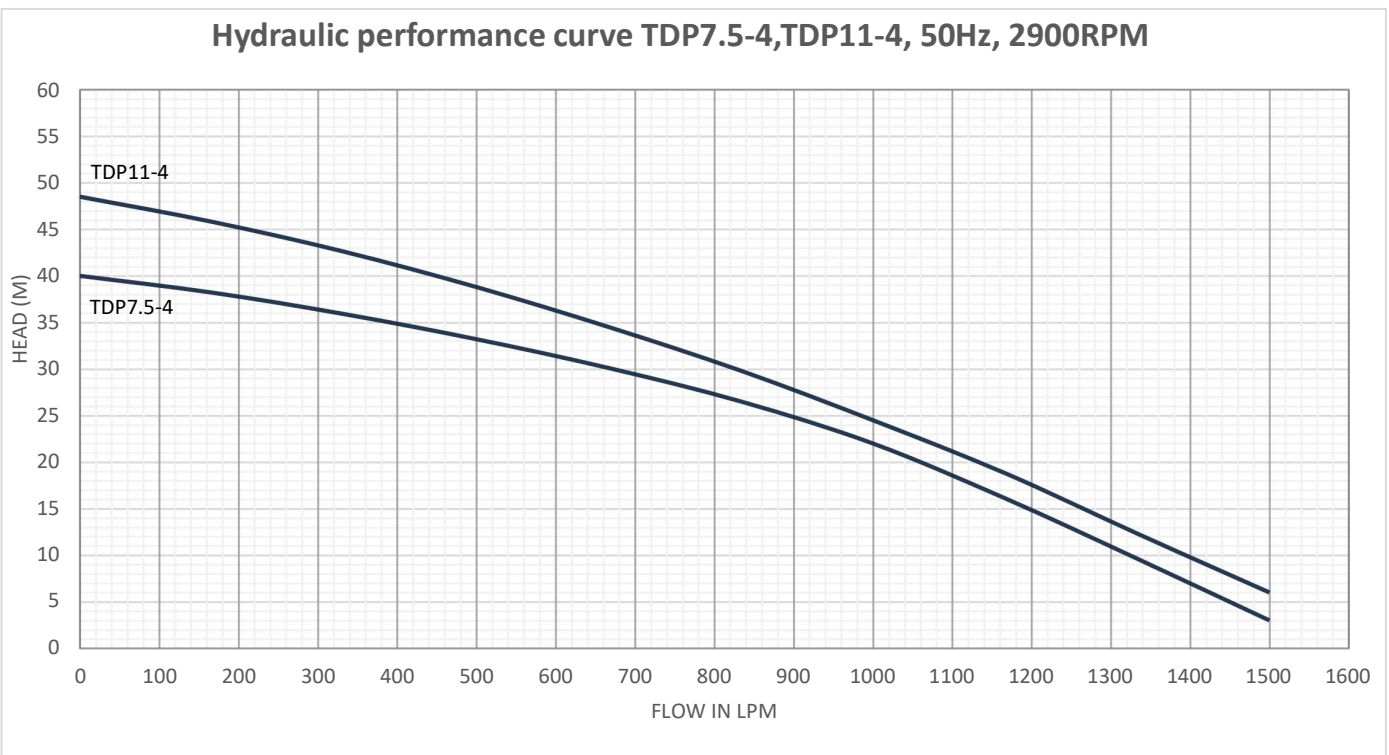
**SS 304
Impeller
and
Diffuser
Plate**



Performance curve



Performance curve



 **texmo**
pump



DISTRIBUTOR OFFICE MIDDLE EAST

MAJESTIC PRIDE GENERAL TRADING LLC

Shk. Zayad Road–Dubai–UNITED ARAB ENMIRATES

E-mail :- info@texmopump.ae , sales@texmopump.ae

Mob.no. :- +971 566813779 / +971 528716531

DISTRIBUTOR OFFICE FOR OMAN

MAJESTIC PRIDE INTERNATIONAL LLC

Barka,Suwaq,Mubaila,Muscat–Sultanate of Oman

E-mail :- oman@texmopump.ae

Mob.no. :- +968 78839511 / +968 96627632

Website :- www.texmopump.ae
Instagram :- [texmopump.ae](https://www.instagram.com/texmopump.ae)

